



INDUSTRIAL VIBRATING TABLES



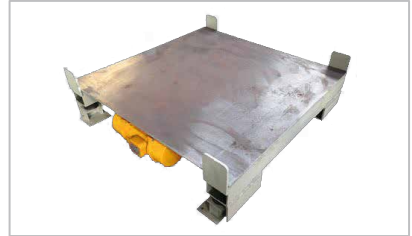
ATEX



MADE IN FRANCE

> SCAN QR CODE
FOR MAINTENANCE
& INSTALLATION
DOCUMENTS

- Our vibrating tables are made to measure according to the specifications of our customers.
- Therefore, we can meet all your needs of replacement or determination of new equipment.
- **Vibration amplitude** : From 0,1 to 10 mm
- **Acceleration** : From 0,1 to 7G
- **Vibration frequency** : From 0 to 100 Hz
- **Materials**: Fortal, stainless steel or steel



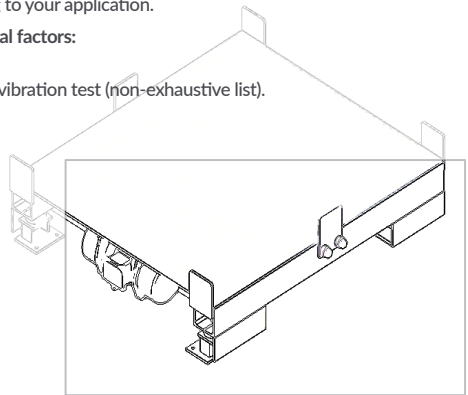
CUSTOM DETERMINATION

VIBRAXTION has the assurance of supporting both integrators and users of end products in their industrial process.

Our technicians can be reached for any dimensioning according to your application.

The determination of a vibrating table is directly linked to **several factors**:

- **The type of application**:
Compaction, removing air bubbles from concrete, screening or vibration test (non-exhaustive list).
- **The type of material**:
Powdery, solid, mineral, food.
- **The characteristics of the material** :
Moisture content, density, grain size.
- **Machine and environment characteristics**:
Type, dimensions, structure.



DESIGN OF CERTIFIED MACHINES

Vibraxtion offers you advice and full satisfaction for all your project studies integrating vibrating tables.

Our design offices are responsible for developing plans for the table to provide you with a preview before production.

Our productions have a unique machine certificate and a user manual specific to your needs.

All our tables are built in France by our metalworkers and qualified electricians.

Nous nous réservons le droit de modifier les spécifications de tous nos Modèles de tables vibrantes industrielles sans préavis.