



STAINLESS STEEL PNEUMATIC TURBINE VIBRATOR SOMAI



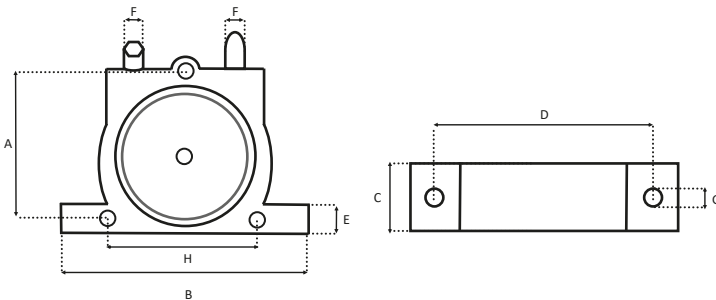
> SCAN QR CODE
FOR MAINTENANCE
& INSTALLATION
DOCUMENTS

- Operate with clean and dry air (no lubrication).
- Turbine vibrators in 316L stainless steel dedicated to white rooms and highly corrosive or saline environments.
- Reference in the pharmaceutical, chemical and agro-food industries.
- Frequency and force continuously adjustable by operating pressure.



We reserve the right to change specifications and dimensions without notice.

PNEUMATIC SPECIFICATIONS					DIMENSIONS (mm)								
Model	Frequency 6 Bar	Centrifugal Force		Conso. Air	A	B	C	D	E	F	G	H	Weight
	Vib. /min	KG	N	l/min	-	-	-	-	-	-	-	-	KG
VSTX 70	15 000	57	560	210	55	86	37	68	12	1/8	6	45	0,23
VSTX 110	10 000	111	1090	280	74	110	41	90	17	1/4	7	61	1
VSTX 170	8000	173	1690	420	85	135	49	104	20	1/4	7	71	2,4
VSTX 260	7000	260	2560	520	102	160	53	130	23	3/8	9	85	4,8



The technical information, diagrams and images present in this document are the exclusive property of Vibraxtion Sarl. Any reproduction is prohibited. This information is non-contractual.